

MOEN®

ORDER BY PART NUMBER

SHOWER TRIM ONLY	TUB SHOWER TRIM	FINISH
UT3002EP	UT3003EP	Chrome
UT3002EPBN	UT3003EPBN	Brushed Nickel
UT3002EPBL	UT3003EPBL	Matte Black

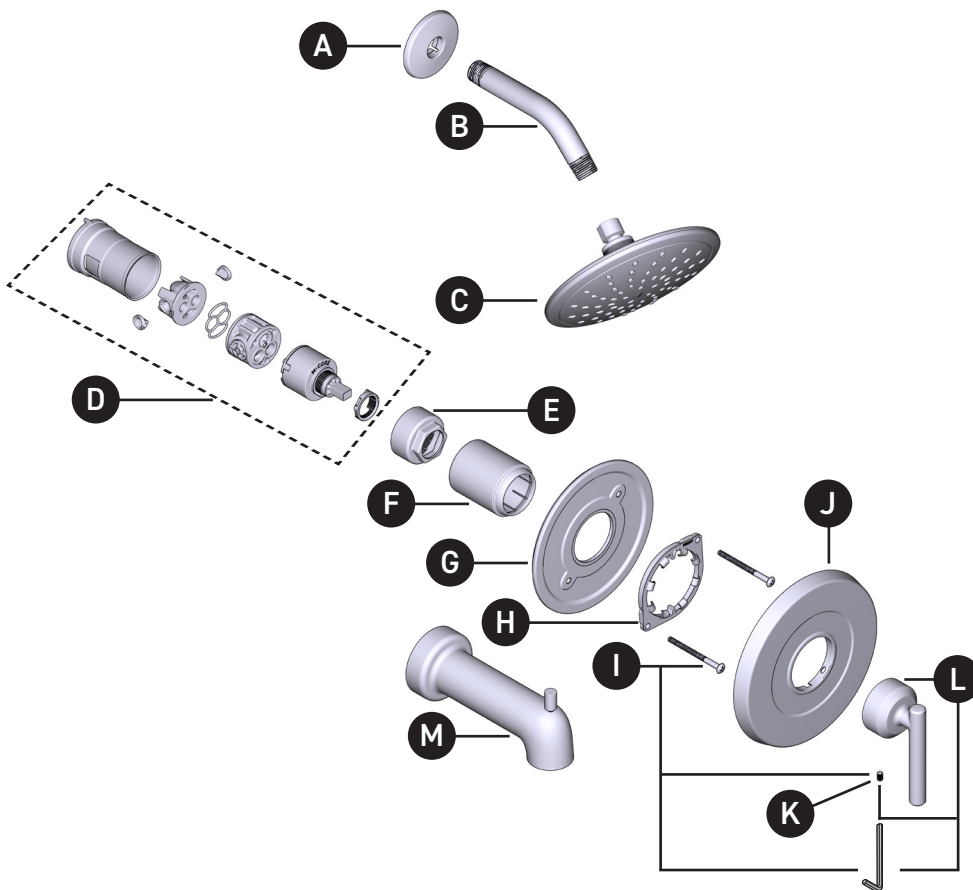
*All models with an EP suffix include a 1.75 GPM showerhead

Illustrated Parts

GIBSON™

Single-Handle M-CORE™ 2-Series Trim

ID	Kit Description	Kit Number	Finish
A	Shower Arm Flange	137488	Chrome
		137488BN	Brushed Nickel
		137488BL	Matte Black
B	Shower Arm (Rainshower)	123815	Chrome
		123815BN	Brushed Nickel
		123815BL	Matte Black
C	Rainshower (1.75 GPM)	6345EP	Chrome
		6345EPBN	Brushed Nickel
		6345EPBL	Matte Black
D	Cartridge Assembly	1212	N/A
E	Cartridge Nut	200762	N/A
F	Sleeve	200775	Chrome
		200775BN	Brushed Nickel
		200775BL	Matte Black
G	Backing Plate	200766	N/A
H	Snap Ring	200772	N/A
I	Backing Plate Screws (2)	200764	N/A
J	Escutcheon Kit	206320	Chrome
		206320BN	Brushed Nickel
		206320BL	Matte Black
K	Set Screw (Requires 3/32" Hex Key)	40057	N/A
L	Handle Kit	206321	Chrome
		206321BN	Brushed Nickel
		206321BL	Matte Black
M	Diverter Tub Spout	3890	Chrome
		3890BN	Brushed Nickel
		3890BL	Matte Black



OPTIONAL: 1" Handle Extension Kit

MODEL	FINISH
200755	Chrome
200755BN	Brushed Nickel
200755BG	Matte Black

